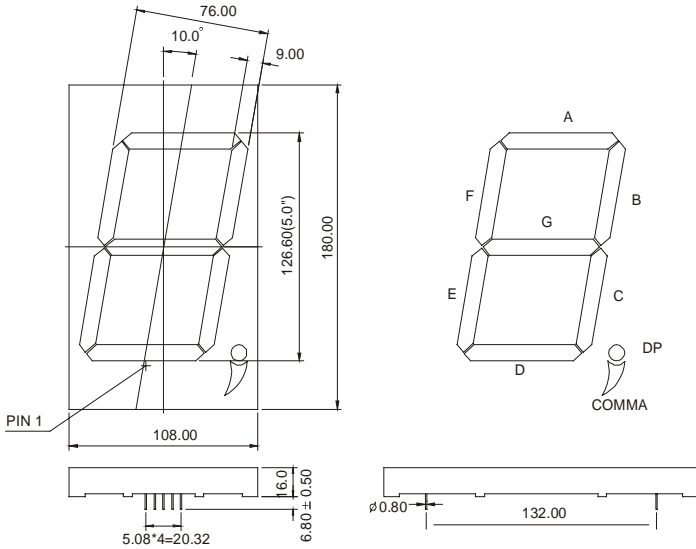


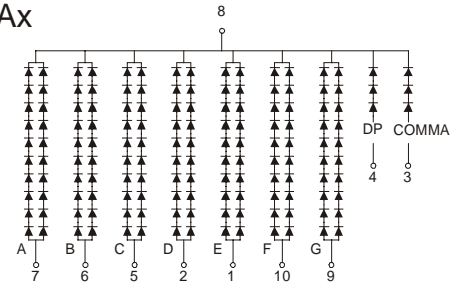


MCD-50011Ax-Bx (SINGLE DIGIT LED DISPLAY)

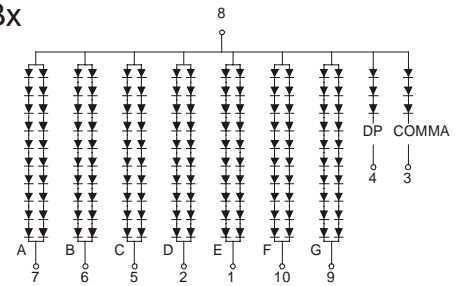
MCD-50011 Series



MCD-50011Ax



MCD50011Bx



Features:

- *5.0 INCH HIGH CHARACTER.
- *EXCELLENT CHARACTER APPEARANCE.
- *COMMON CATHODE OR COMMON ANODE.
- *I.C. COMPATIBLE
- *LOW POWER CONSUMPTION.

Part Number	EMITTED COLOR		Common Cathode or Common Anode	Peak Wavelength (nm)	Vf (v) Typ	If (mA)	Intensity Per Segment (mcd)	
							Min.	Typ.
MCD50011AE	GaAsP/GaP	Hi. effi Red	Common Cathode	635	2.0	20	90	120
MCD50011AG	GaP	Green		565	2.1	20	80	110
MCD 50011AY	GaAsP/GaP	Yellow		585	2.0	20	90	120
MCD50011AS	GaAlAs	Super Red		660	1.8	20	100	130
MCD50011AD	GaAlAs	Ultrs Red		660	1.8	20	250	300
MCD 50011AUE	AlGaN	Ultra Red		625	2.0	20	300	350
MCD 50011AUY	AlGaN	Ultra Yellow		590	2.0	20	300	350
MCD 50011BE	GaAsP/GaP	Hi. effi Red	Common Anode	635	2.0	20	90	120
MCD 50011BG	Gap	Green		565	2.1	20	80	110
MCD 540011BY	GaAsP/GaP	Yellow		585	2.0	20	90	120
MCD50011BS	GaAlAs	Super Red		660	1.8	20	100	130
MCD 50011BD	GaAlAs	Ultrs Red		660	1.8	20	250	300
MCD50011BUE	AlGaN	Ultra Red		625	2.0	20	300	350
MCD 50011BUY	AlGaN	Ultra Yellow		590	2.0	20	300	350